

# 40KMC

CASSETTE



## Designed for commercial applications

For commercial use you need a system with the right combination of performance and flexibility, making it the natural choice of professionals, who recognize quality when they see it. Whether the application is a new development or is being refurbished, the Carrier cassette has the flexibility and style that make it unique.

## Perfectly adjustable

The fresh air inlet allows intake of up to 10% fresh air from outside for constant air renewal. The Carrier patented grille profile offers excellent air throws without draughts. Motorized louvres allow six selectable air flow directions, continuous sweep or automatic positioning. The return air enters the unit at the centre, is filtered and can be distributed to 2, 3 or 4 sides. The fresh air intake and the additional outlet grille can be used to condition the air in an adjoining room by using one of the 4 air flow sides.

## Perfectly quiet

The acoustic performance of the cassette is near perfect, thanks to the centrifugal fan with patented aerofoil blades, new heat exchanger and improved air management system.

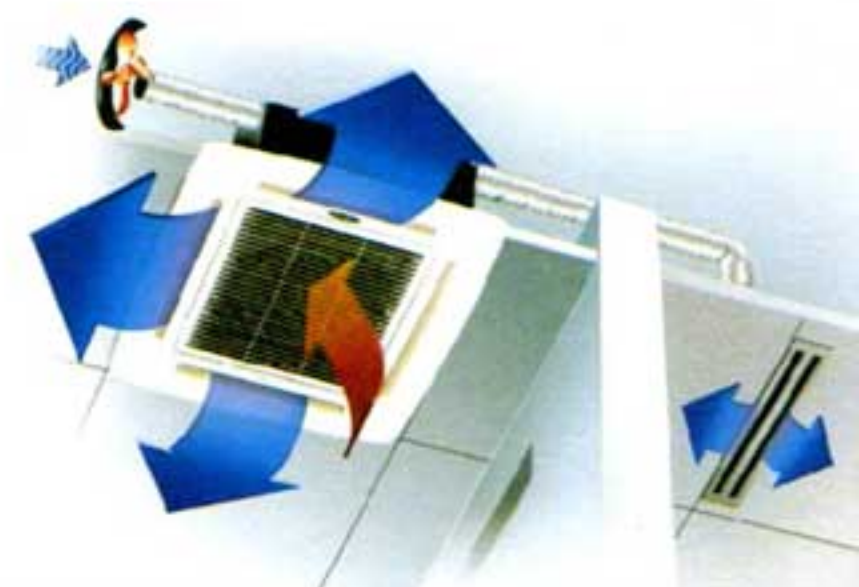
## An Innovative Electronic Interface

**Infrared Remote Control** - An easy-to-use remote control for precision comfort management, which stores preferred settings in the memory.

**Zone Manager (Optional)** - Ideal for system monitoring, the building supervisor can control and program up to 32 different indoor units in 8 independent zones. The user can select four individual start/stop ranges per day for each zone.

## Fresh Air Intake

In addition to the high air distribution performance, the cassette allows the introduction of up to 10% of fresh air. A benefit that facilitates permanent renewal of the ambient air and consequently improves its quality.



*Performance, style, simplicity. In a word, Excellence....*

# 40KMC Cassette Technical Data

Description	Type	Cassette Split								
		38CJR (CTH)				38VTA (CISB)				
Model	Outdoor	013	018	018	024	024	035	040	050	
	Indoor	40KMC								
Tested Capacity *	Btu/hr	13,084	16,480	17,378	21,656	22,048	30,535	34,202	43,327	
System EER		9.73	7.5	7.94	9.25	9.36	9.00	9.52	8.78	
Power Supply	V-Ph-Hz	230 - 1 - 50					400 - 3 - 50			
Current (RLA) **	Rotary	AMP	6.2	9.6	9.6	11.4	11.4			
	Scroll	AMP					17.1	7.9	10.0	
Power Input	Rotary	kW	1.22	1.79	1.79	2.35	2.35			
	Scroll	kW					3.15	3.96	4.81	
Indoor Air Flow	CFM	373/329/296		478/412/359		655/549/451		766/625/554		
Indoor Sound Pressure Level (DC)	dB(A)	42/39/37		46/39/37		38/35/31		42/39/37		
Dimension (Indoor/Outdoor)	Height	Mm	298/525	298/570		298/670		298/945		
	Width	Mm	575/800	575/840		825/640		825/432		
	Length	mm	575/250	575/300		825/330		825/1130		
Grille	Dimension (DxWxH)	Mm	30 x 720 x 720				30 x 960 x 960			
	Weight	kg	2.5				5.0			
Operating Weight (Outdoor/Indoor)	kg	44/21	46/21		58/21		58/39		91/41	
Refrigerant		R-22								
Connections	Liquid	Inch	1/4				3/8			
	Suction	inch	1/2		5/8		3/4			
Type of Compressor		Rotary					Scroll			

RLA: Rated Load Amps

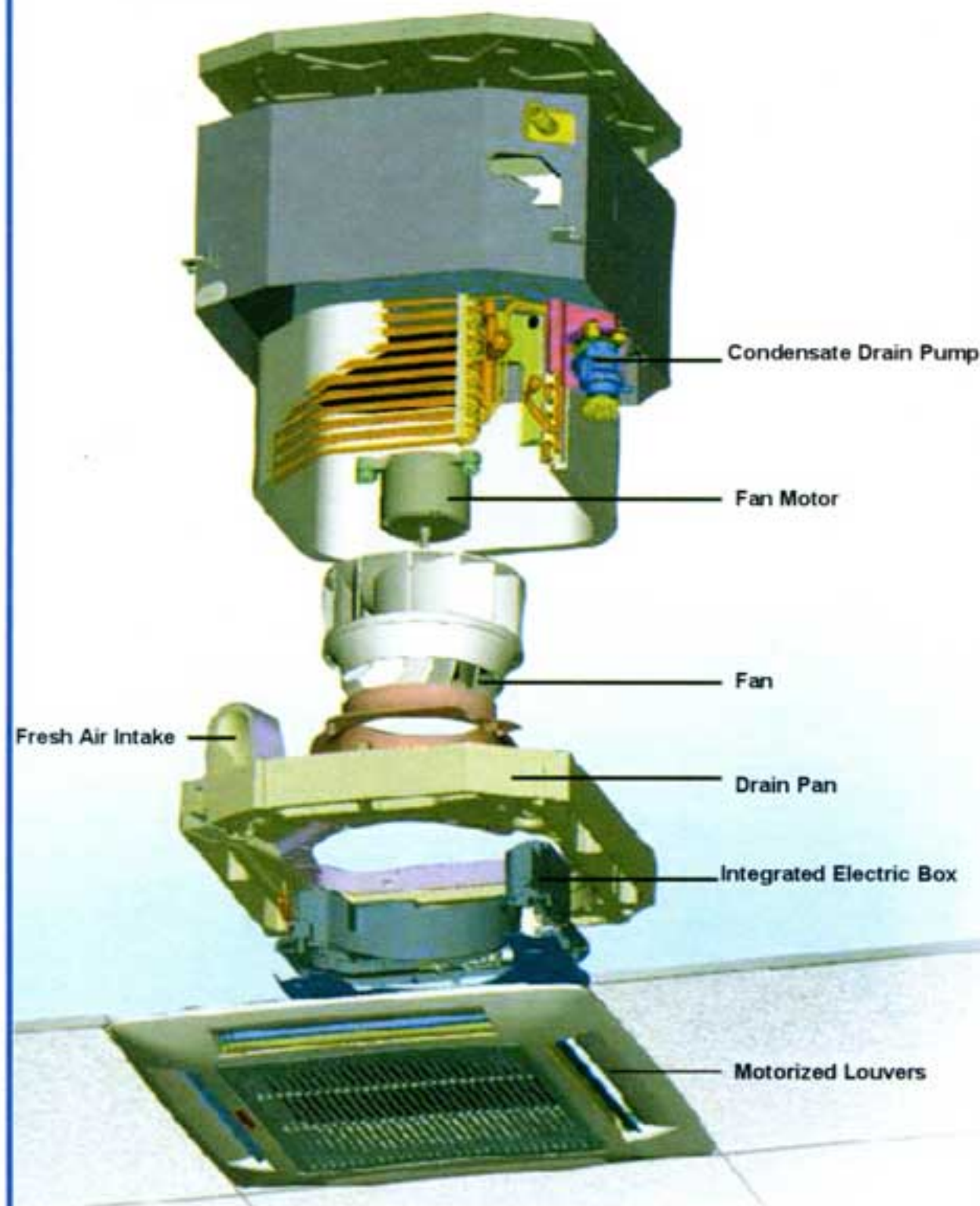
\* Data is rated to JIS standard at 35°C (95°F) ambient, 27°C/19°C (80.6°F/66.2°F) indoor condition.

## SIMPLIFIED INSTALLATION & MAINT.

The 40KMC cassette allows exceptional installation versatility and simplicity. Maintenance operations are also greatly simplified.

Installation is simplified because of the following characteristics:

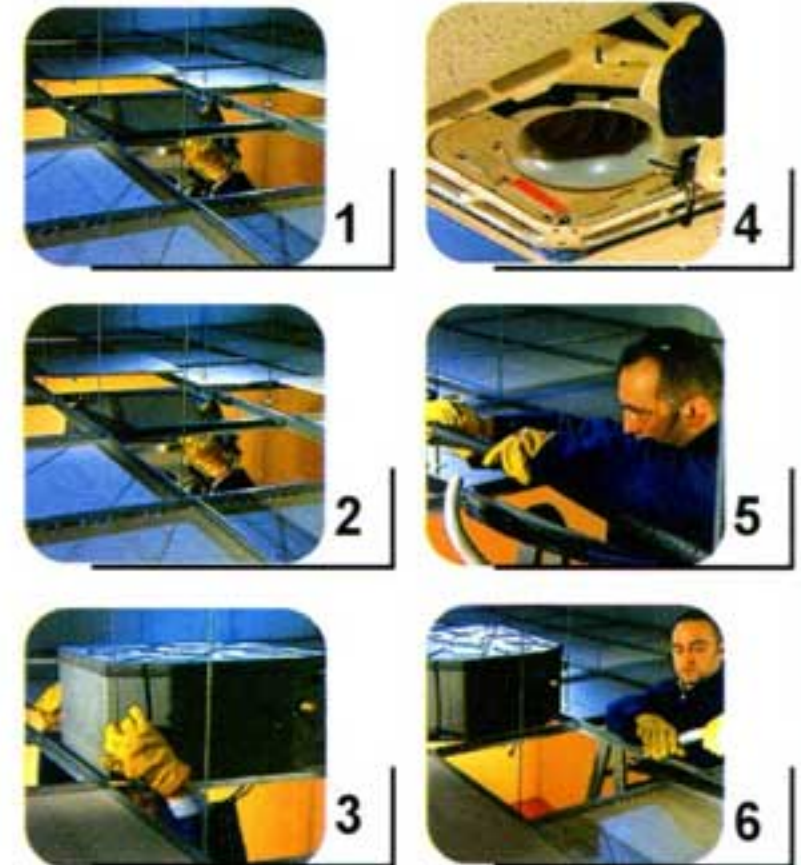
- Integrated control box for improved installation times
- Weight reduced by 25% and lighter grille for easy handling
- Very low profile (298mm)
- New high performance condensate removal pump with 50cm lift.



## INSTALLATION & MAINTENANCE UNDER CONTROL

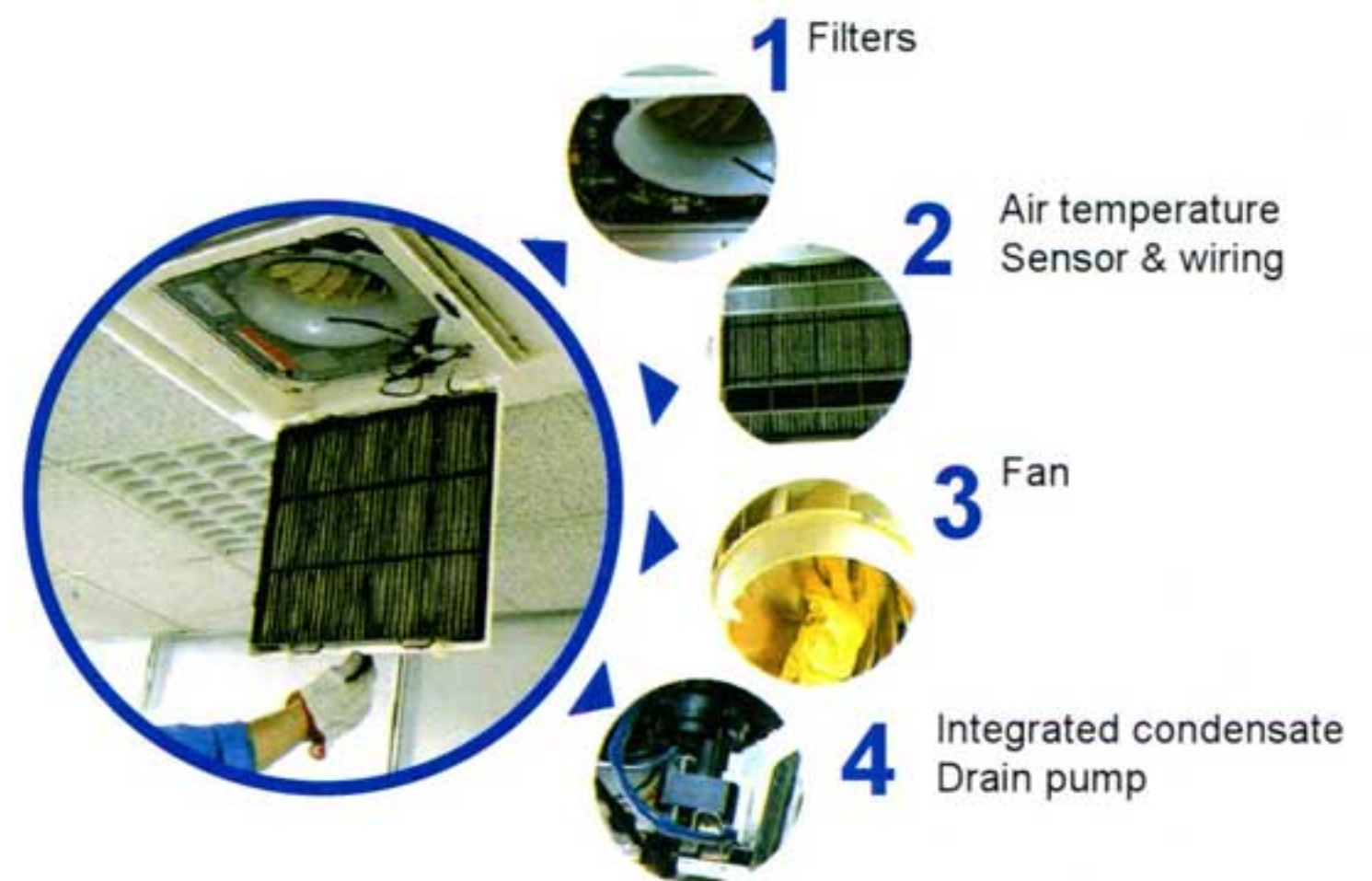
1. Fix the ties to the ceiling.
2. Position the unit in the suspended ceiling and fix it to the ties.
3. Adjust the height with the fixing nuts to align it with the ceiling.
4. Check alignment is correct and lock in place.
5. Connect the refrigerant pipes.
6. Connect the condensation drain pipes

Fix the grille and electrical connections and the 40KMC cassette is ready for use..



## SMART ACCESS FOR QUICK & EASY MAINTENANCE

Simple access via the grille gives you access to all critical components:



For more information, contact your nearest Carrier representative.



40KMC-K06-1SL

@ 2006 Carrier International Sdn Bhd, Malaysia

Manufacturer reserves the right to discontinue or change at any time, specifications or designs without notice & without incurring obligation.



MS ISO 9001 REG. NO. AR 0239