



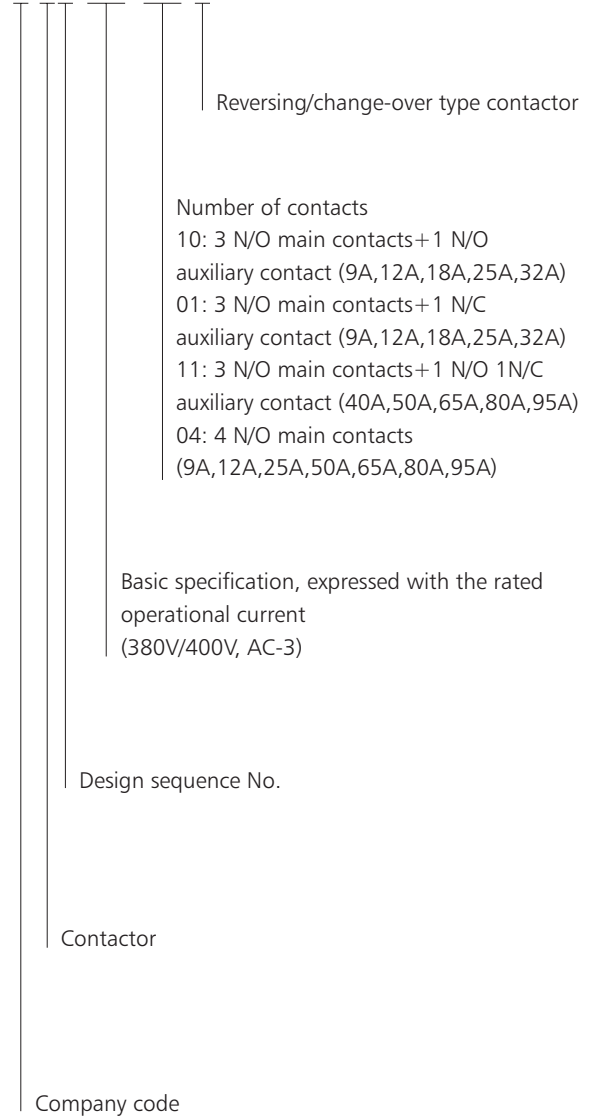
NC1-N Contactor Reversing & change-over type, 9~95A

1. General

- 1.1 Electrical ratings: AC50/60HZ, 690V, up to 95A;
- 1.2 Application: reversing control of motor and the mechanical interlock ensures operation reliability for contactor change-over of the two reversing contactors;
- 1.3 Ambient temperature: -5°C~+40°C;
- 1.4 Pollution degree: 3
- 1.5 Mounting category: III
- 1.6 Mounting conditions:
 inclination between the mounting plane and the vertical plane not exceed $\pm 5^\circ$
- 1.7 Standard: IEC/EN 60947-4-1

2. Type designation

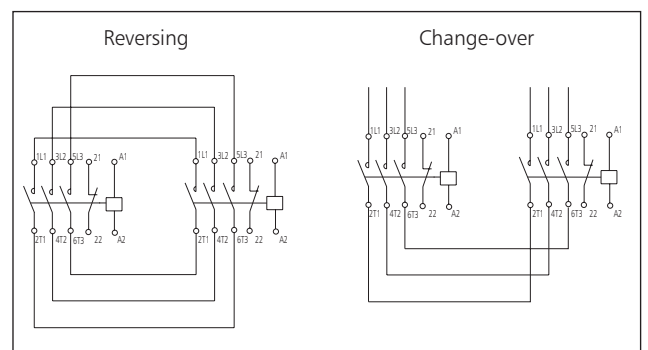
N C 1- □ □ □ N



3. Structure

The contactors are composed of two horizontally mounted contactors through mechanical interlock. The lateral-side interlock is mounted between the two contactors.

4. Wiring



5. Technical data

★ AC coil operation, reversing type

Items		Model	NC1-09N	NC1-12N	NC1-18N	NC1-25N
Frame			Frame 1 (3P, 4P)	Frame 2 (3P)	Frame 3 (3P, 4P)	
Rated conventional heating current (A) AC-1			20	20	32	40
AC-4	Ie(A)	380/400V	3.5	5	7.7	8.5
		660/690V	1.5	2	3.8	4.4
	Pe(kW)	380/400V	1.5	2.2	3	4
		660/690V	1.1	1.5	3.7	4
Power of controlled 3-phase cage motor (AC-3)	hp	200V	3	5	7.5	7.5
		240V	3	5	7.5	10
		460V	5	7.5	10	15
		600V	5	7.5	10	15

★ AC coil operation, change-over type

Items		Model	NC1-09N	NC1-12N	NC1-25N
Frame			Frame 1 (4P)	Frame 2 (4P)	Frame 3 (4P)
Rated conventional heating current (A) AC-1			20	20	40
AC-4	Ie(A)	380/400V	3.5	5	8.5
		660/690V	1.5	2	4.4
	Pe(kW)	380/400V	1.5	2.2	4
		660/690V	1.1	1.5	4
Power of controlled 3-phase cage motor (AC-3)	hp	200V	3	5	7.5
		240V	3	5	10
		460V	5	7.5	15
		600V	5	7.5	15

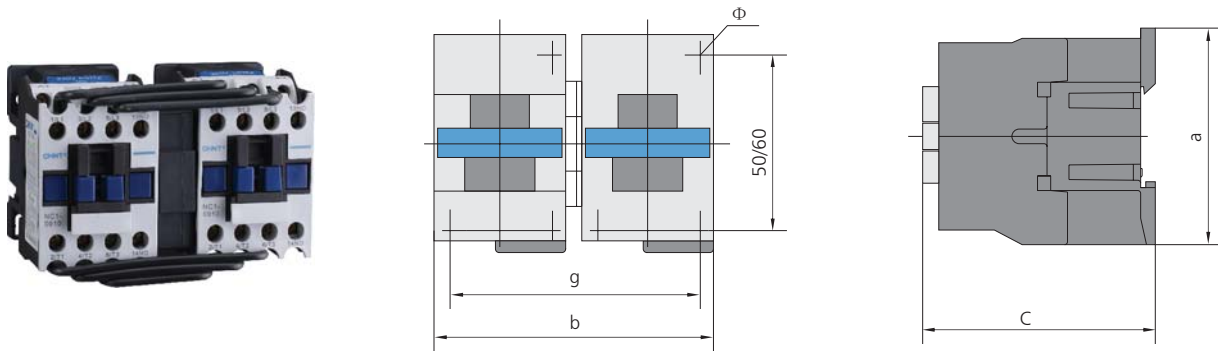
NC1-32N	NC1-40N	NC1-50N	NC1-65N	NC1-80N	NC1-95N
Frame 4 (3P)		Frame 5 (3P, 4P)		Frame 6 (3P, 4P)	
50	60	80	80	95	95
12	18.5	24	28	37	44
7.5	9	12	14	17.3	21.3
5.5	7.5	11	15	18.5	22
5.5	7.5	11	11	15	18.5
10	15	15	20	25	30
15	20	20	25	30	30
20	25	30	40	40	50
20	25	30	40	40	50



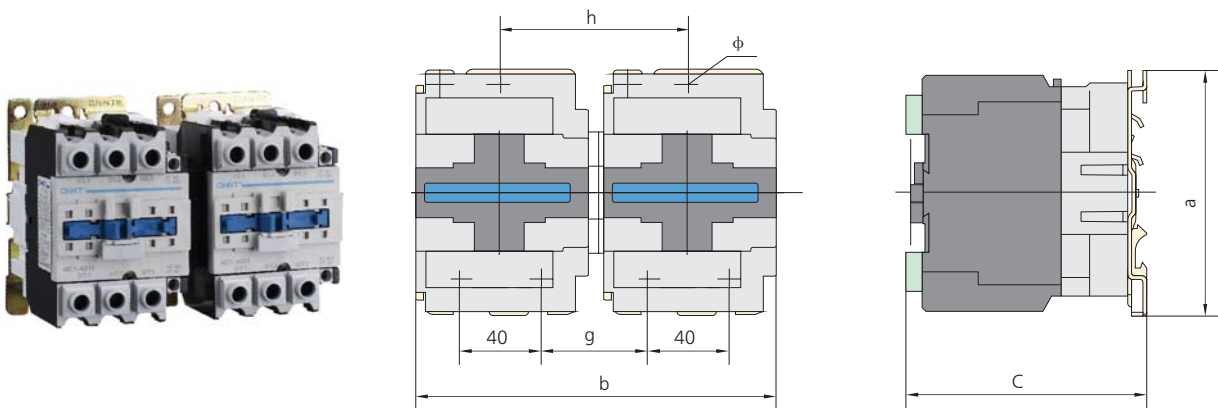
NC1-40N	NC1-50N	NC1-65N	NC1-80N	NC1-95N
Frame 4 (4P)	Frame 5 (4P)		Frame 6 (4P)	
60	80	80	95	95
18.5	24	28	37	44
9	12	14	17.3	21.3
7.5	11	15	18.5	20
7.5	11	11	15	18.5
15	15	20	25	30
20	20	25	30	30
25	30	40	40	50
25	30	40	40	50

6. Overall and mounting dimensions (mm)

NC1-09~32N



NC1-40~95N



Contactor model	a	b	c	g	h	φ
NC1-09N~12N	78	105	82	95	-	4.5
NC1-18N	78	105	87	95	-	4.5
NC1-25N	90	125	95	111	-	4.5
NC1-32N	90	125	100	111	-	4.5
NC1-40N~65N	129	165	116	50	90	6.5
NC1-80N~95N	129	165	127	57	96	6.5